



FORCE OF NATURE

TITUS 95KG

NEW ERA OF COMPACTION

FORWARD PLATE COMPACTOR

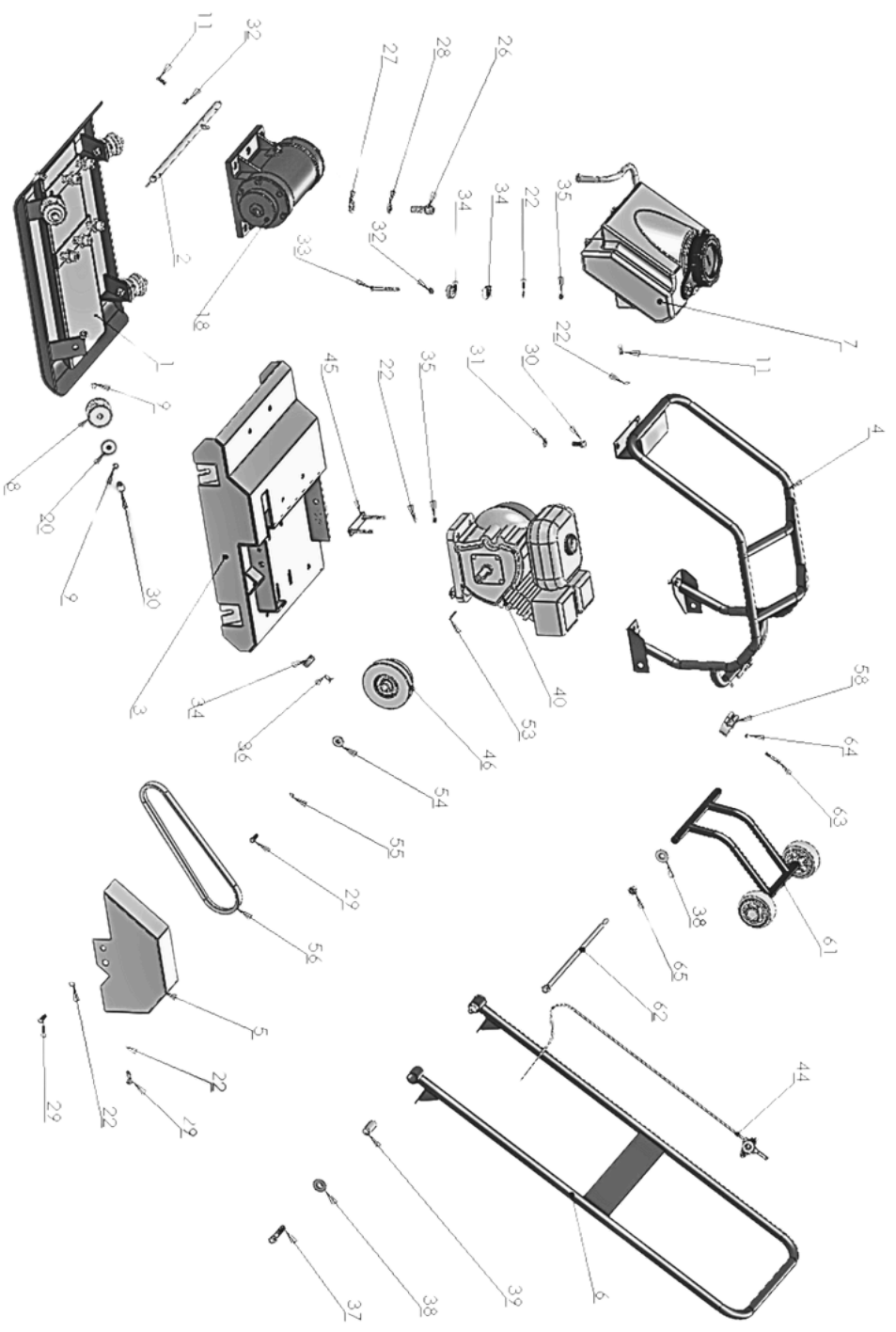
PARTS MANUAL



Distributed by MITO Distributions INC.

TITUS 95KG

Figure 1



PARTS LIST

No.	Description	Specification	Quantity
1	base plate		1
2	Iron Water pipe		1
3	engine support plate		1
4	Protective frame		1
5	Belt cover		1
6	handle		1
7	water tank		1
8	Shock absorber of bottom plate		4
9	spring washer		4
11	flange bolt		8
18	vibrator unit		1
20	Enlarged Flat Gasket		4
22	Flat gasket		8
26	Inner Hexagon bolt		6
27	Flat gasket		6
28	Spring Gasket		6
29	External Hexagon bolt		3
30	External Hexagon bolt		8
31	Flat gasket		4
32	Locked Nut		2
33	External Hexagon bolt		2
34	shock absorber of handle		6
35	Locked Nut		8
36	Flat cross bolt		2
37	External Hexagon bolt		2
38	Enlarged Flat Gasket		2
39	Rubber handle		2
40	engine		1
44	Throttle wire		1
45	External Hexagon bolt		4
46	clutch		1
53	key		1
54	Conical Gasket		1
55	Spring Gasket		5
56	Belt		1
58	clamp		2
61	wheel		1
62	wheels frame		1
63	Inner Hexagon bolt		4

Figure 1 / Silverback Titus 95kg

PARTS LIST

No.	Description	Specification	Quantity
64	Locked Nut		4
65	Locked Nut		2



SILVERBACK Machinery and Power Equipment.

Pioneering the future of compaction, we pride ourselves on introducing groundbreaking technologies that redefine the very essence of power in our machinery. Experience a new era where strength meets innovation, setting your projects on a path to perfection.

SILVERBACK understands that keeping a job site running smoothly means having not only the right equipment but also a comprehensive stock of spare parts available at all times. By making sure these critical components are on hand whenever needed, SILVERBACK helps prevent downtime, ensuring that operations remain efficient with the help of these documentations and parts books.





SILVERBACK
MACHINERY · EQUIPMENT

PARTS MANUAL

THIS MANUAL MUST ACCOMPANY THE EQUIPMENT AT ALL TIMES.

Model: SILVERBACK SPRINT-100 Paver Roller Compactor
Revision #2 (1/9/24)

This manual MUST accompany the equipment at all times. This manual is considered a permanent part of the equipment and should remain with the unit if resold.

The information and specifications included in this publication were in effect at the time of approval for printing. Illustrations, descriptions, references and technical data contained in this manual are for guidance only and may not be considered as binding. MITO Distributions INC. reserves the right to discontinue or change specifications, design or the information published in this publication at any time without notice and without incurring any obligations.

PARTS SUPPORT:

Email: contact@distributionsmito.com

Web: www.mitodistributions.com/contact

To find the latest revision of this publication or associated parts manual, visit our website at:
www.mitodistributions.com/silverback

